

1

2

3

4

5

6

A

A

B

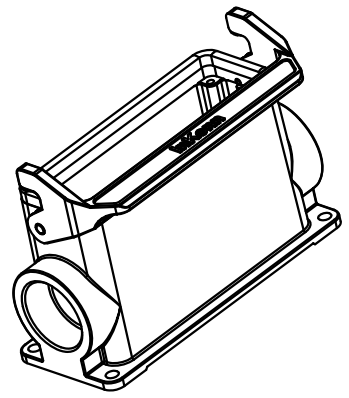
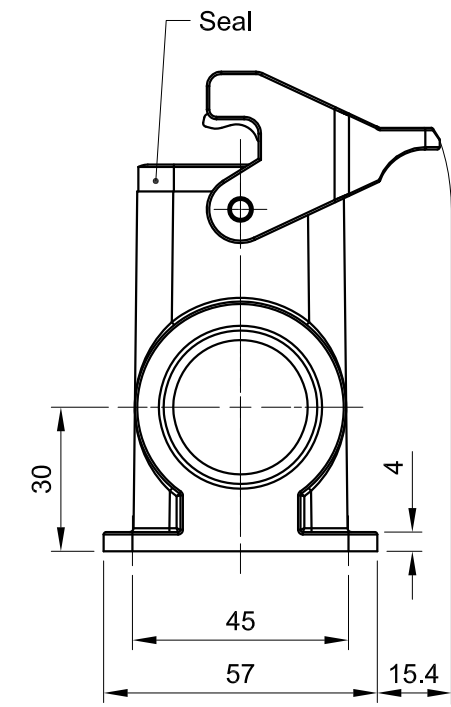
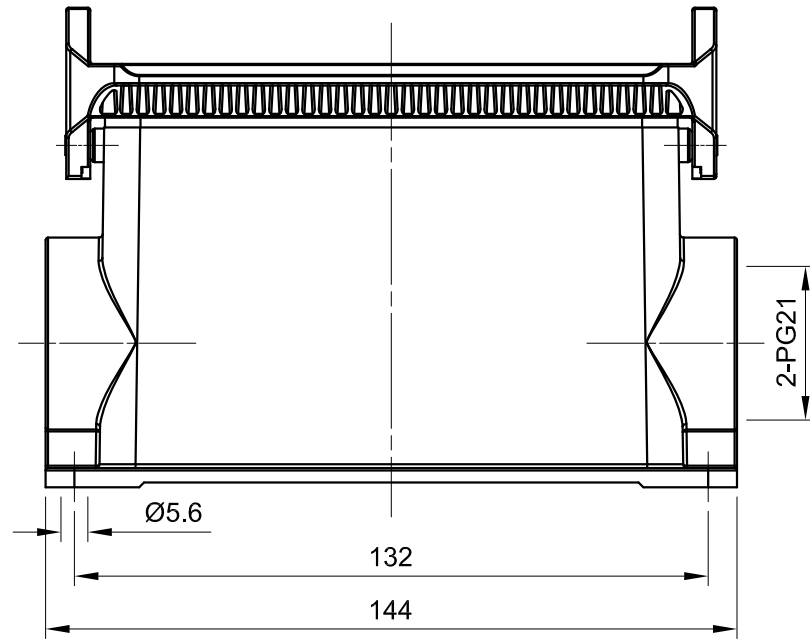
B



C

C

D

D



 InKonn (Suzhou) Electric Technology Co.,Ltd.	 All Dimensions in mm Original Size DIN A4	Date 2020-05-12	Drawing No. TC7908252	Rev. A00	Scale 1:1.5
	Part No. 10 11 824 1616	Created by Shuxu Huang	Checked by Yiyi Luo	Page 1/1	
Type Name HB24-HSM-SL-2PG21					

1

2

3

4

5

6